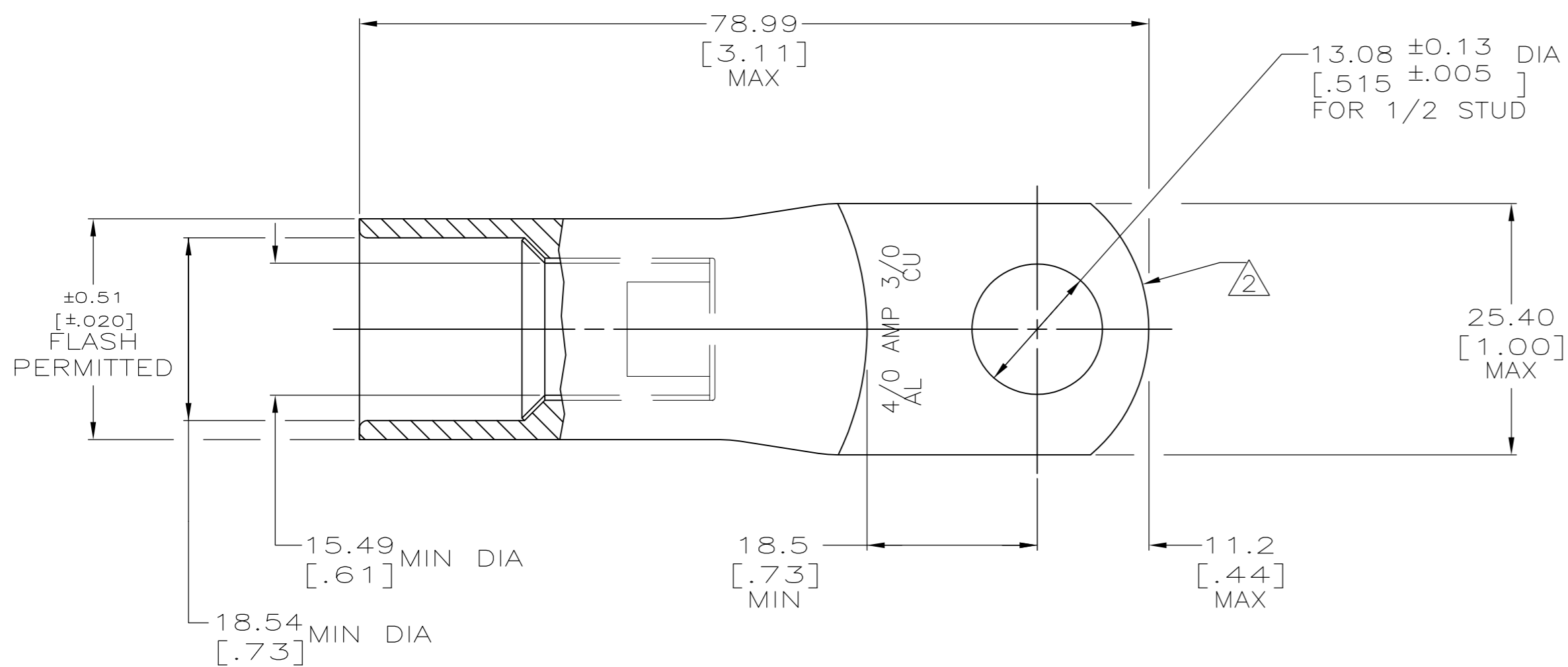
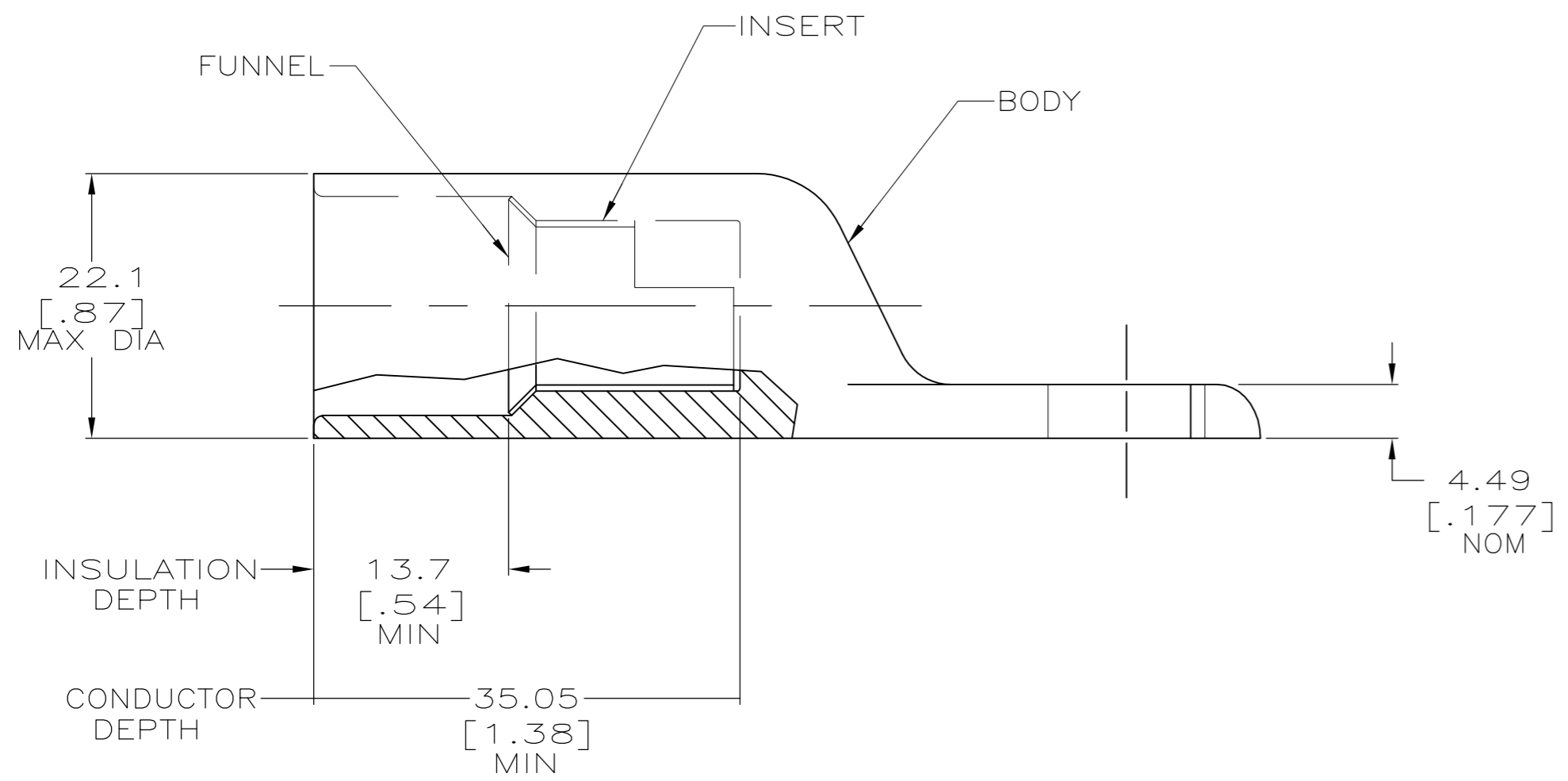


THIS DRAWING IS UNPUBLISHED. RELEASED FOR PUBLICATION
 © COPYRIGHT BY TYCO ELECTRONICS CORPORATION. ALL INTERNATIONAL RIGHTS RESERVED.

LOC	DIST	REVISIONS					
		P	LTR	DESCRIPTION	DATE	DWN	APVD
G	86		A1	REV PER ECR 08-024239	25SEPT08	JR	CK



- 1 WIRE INSULATION: 14.98-17.27 [.590-.680] DIA
- 2 THE TONGUE RADIUS FEATURE IS NOT A TOOLING CONTROLLED DIMENSION AND MAY NOT BE A TRUE RADIUS.



INSERT & FUNNEL: BRASS PER ASTM B36 NICKEL PL 0.00254 [.000100] MIN THK PER QQ-N-290	184113-1
BODY: COPPER ASTM-B187 ANNEALED TIN PL 0.00381 [.000150] MIN THK PER MIL-T-10727	
MATERIAL & FINISH	PART NO.

THIS DRAWING IS A CONTROLLED DOCUMENT.		DWN DK SCHRUM 02NOV94	Tyco Electronics Corporation Harrisburg, PA 17105-3608	
DIMENSIONS: MM [INCHES]		CHK WJ VOCKROTH 03NOV94	NAME WIRE TERMINAL, RING TONGUE, COPALUM	
TOLERANCES UNLESS OTHERWISE SPECIFIED:		APVD JL MECKLEY 03NOV94	PRODUCT SPEC 108-11011	
0 PLC ± -		APPLICATION SPEC 114-2134		
1 PLC ± -		WEIGHT 98 GRAMS		
2 PLC ± -		SIZE A2 CAGE CODE 00779 C=184113		
3 PLC ± -		DRAWING NO 184113		
4 PLC ± -		RESTRICTED TO -		
ANGLES ± -		SCALE 2:1 SHEET 1 of 1 REV A1		
FINISH SEE TABLE		CUSTOMER DRAWING		

184113